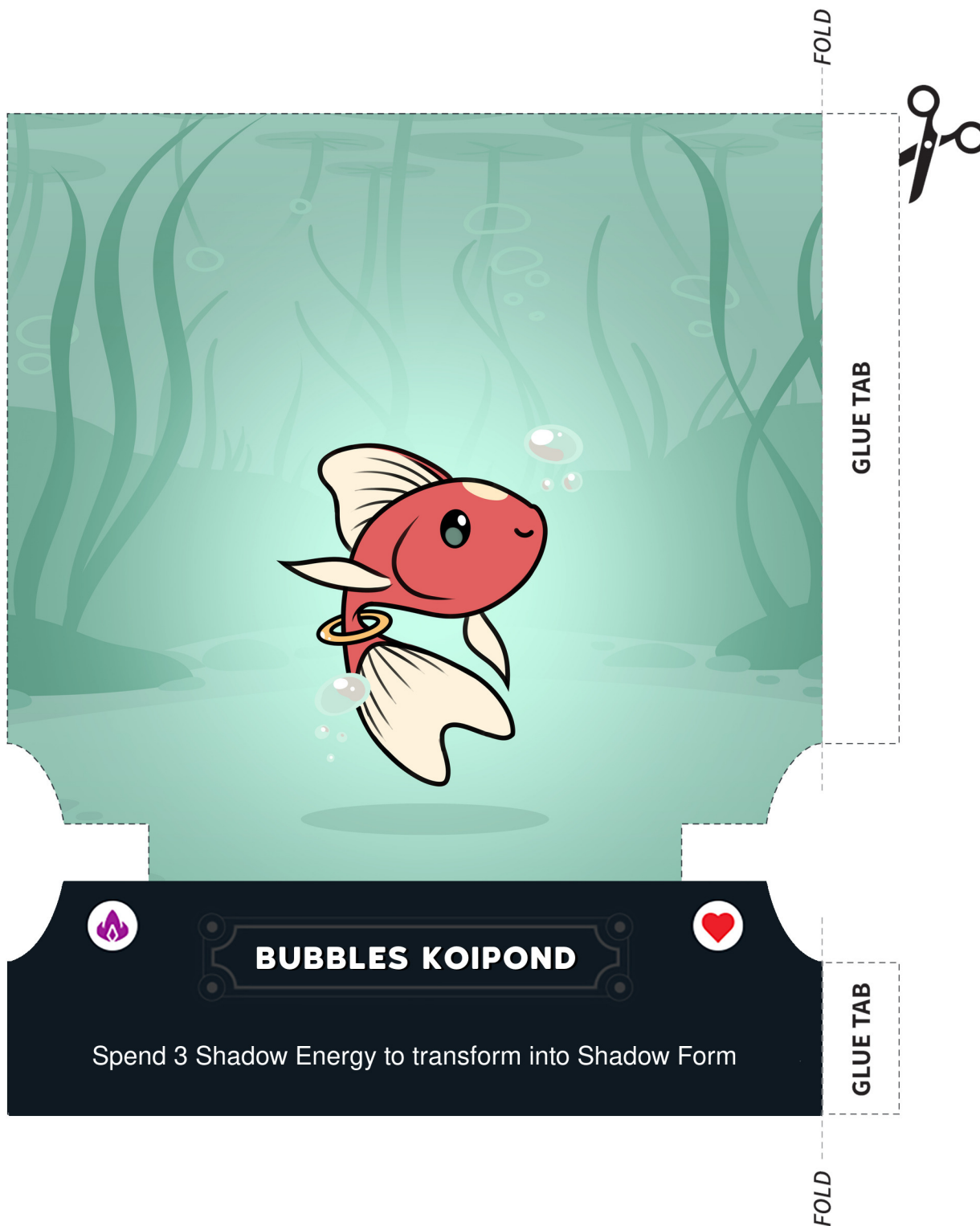
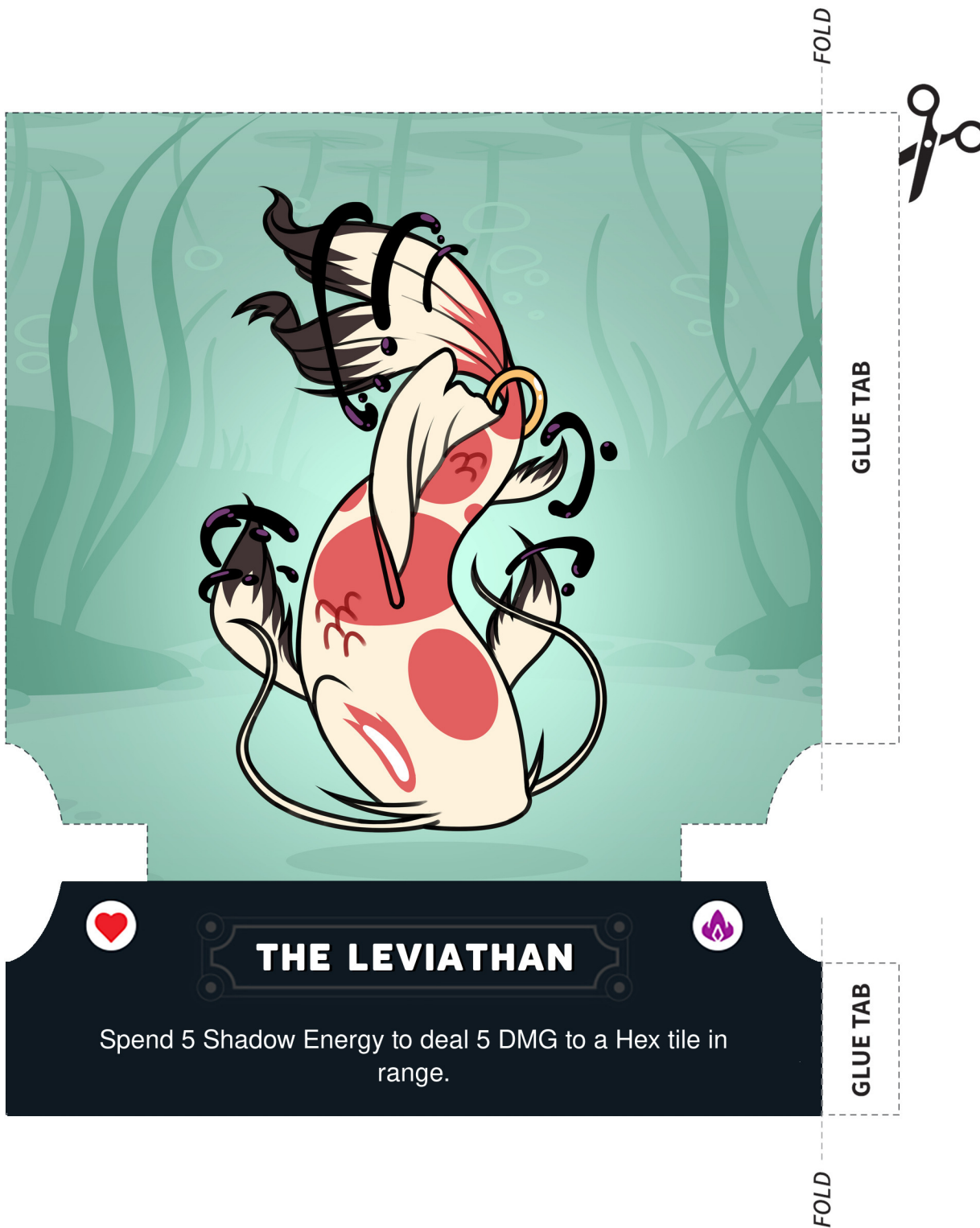


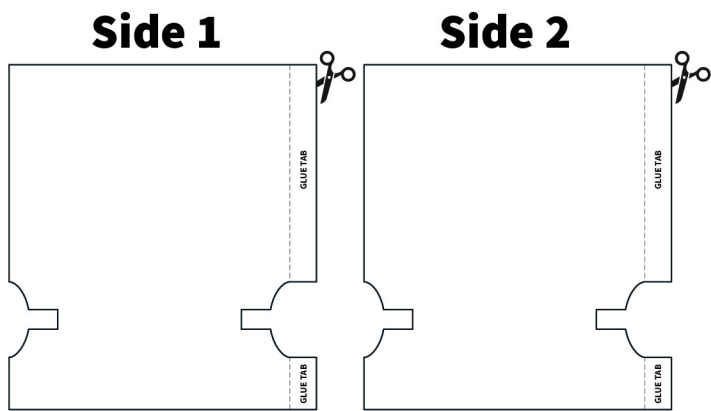
PLAYERBOARD CUSTOMIZER - SIDE #1



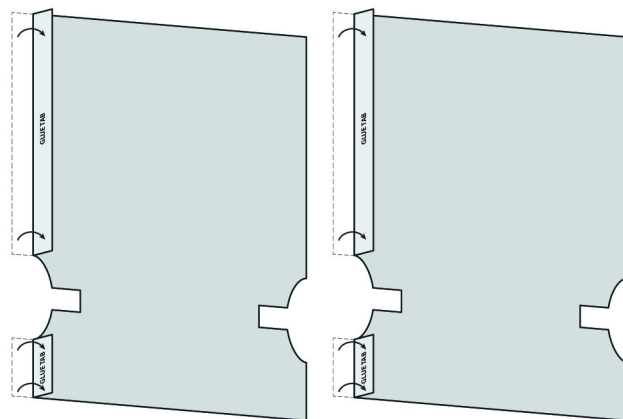
PLAYERBOARD CUSTOMIZER - SIDE #2



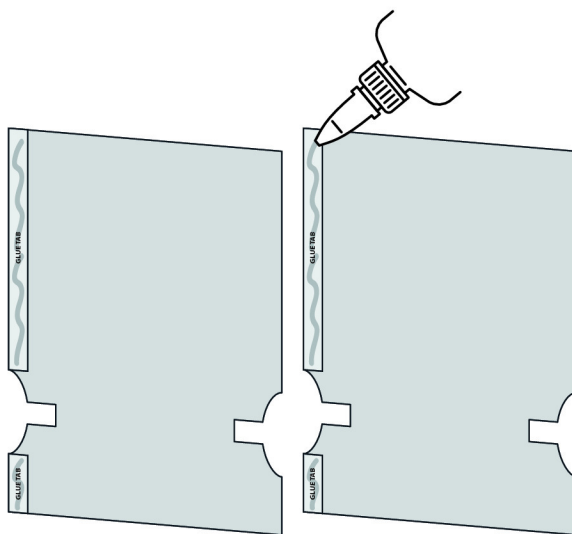
PLAYERBOARD CUSTOMIZER - ASSEMBLY INSTRUCTIONS



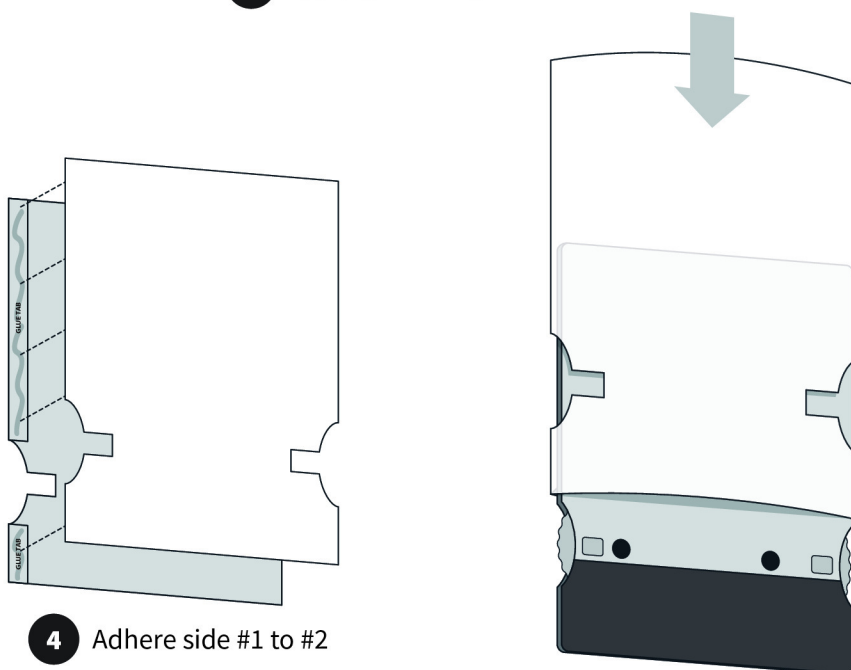
1 Cut along dotted lines



2 Fold glue tabs



3 Apply glue along tabs



4 Adhere side #1 to #2

5 Slip sleeve over playerboard